

Pulsed Laser Control Unit AP-CU-QS1

The Pulsed Laser Control Unit provides the power supply and control signals to AdValue Photonics' pulsed fiber laser modules, making operating the pulsed fiber laser modules as turn-key systems. Users are able to control the laser modules through the user interface on the front and back panels of the Control Unit.

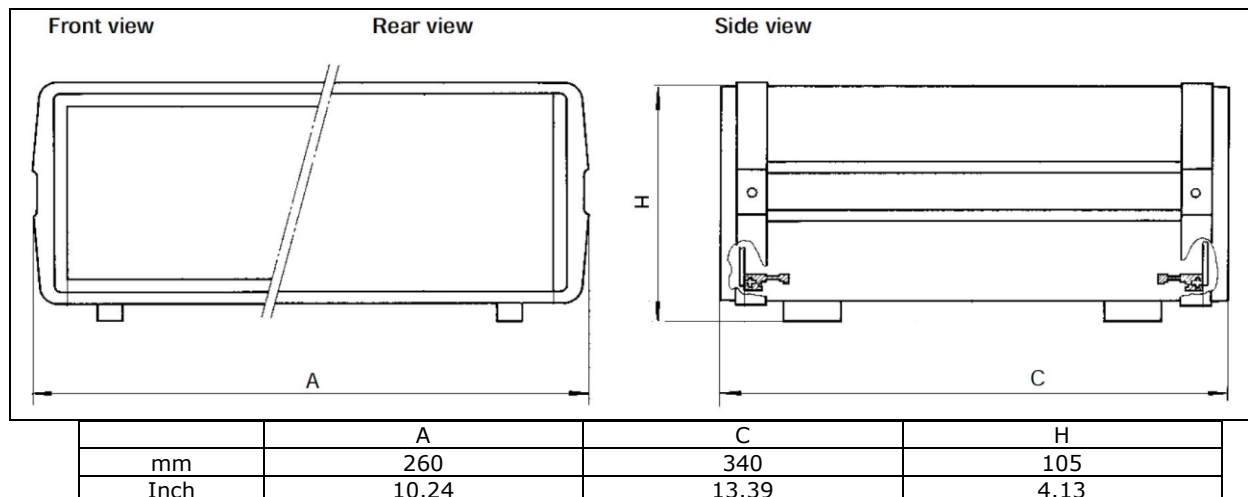


General Characteristics:

Parameter	Specification
Power requirement	AC 100~240 V (50/60Hz)
Laser Output Power ON/OFF and Modulation Control	User to provide 5V TTL signal through a BNC connector on the back panel for laser ON/OFF and output power modulation. 5V TTL signal rise edge triggering ON and fall edge triggering OFF, max. modulation frequency 500 Hz.
Laser output power adjustment	10-100% max. power adjustment using a manual knob on the front panel.
Laser power setting reference	Power setting reference by voltage reading across two terminals on the back panel.

(For special requirement, please contact AdValue Photonics for options.)

Mechanical Outline:



Specifications subject to change without notice